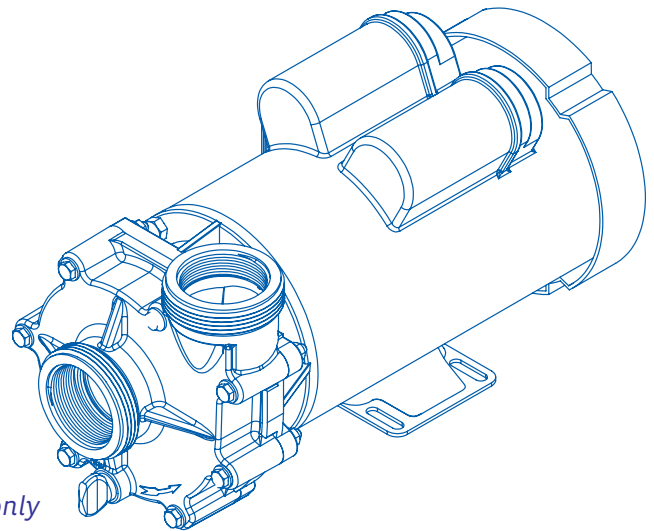
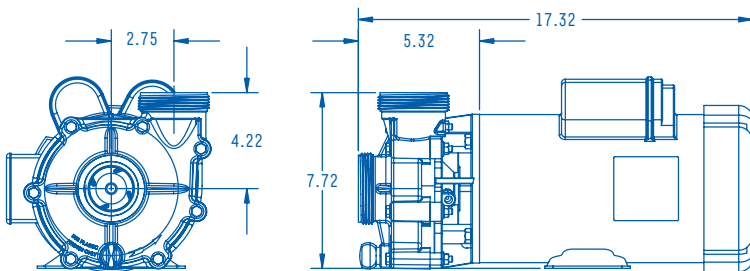


SEQUENCE® Power 4000

■ Power 4000 Model 13200PWR81

To support recirculation applications requiring flow rates above 8000 GPH at high head pressures, we've taken all the great things from the tried and true Sequence Power 1000 series and expanded them to the 4000 series. Achieving over 13,000 GPH and a max of 80 feet of head, the 4000 broadens the performance range in the Sequence Power series. Inlet and discharge ports are both increased to 2" with an inner diameter connection of FNPT, and outer diameter buttress threads for union adaptors, field installations become less burdened; eliminating reducer-fitting and adapter-assembly costs and reducing friction losses in pump systems. 3 year limited warranty. Made in USA. **Supplied with an 8-foot, 230V cordset.**



*Dimensions and illustrations are approximate and for reference only

Flow At Total Dynamic Head

Model	Max Flow GPH	Max Head Feet	Max Power Watts	Max Current Amps	Flow At Total Dynamic Head					Voltage	Motor Enclosure	
					Flow	40'	50'	60'	70'			80'
13200PWR81	13200	81.7	2595	11.5	GPM	175	160	141	117	60	230	TEFC
					GPH	10500	9600	6480	7020	3600		

Sustainable, Efficient ©2010 SEQUENCE® PUMPS A DIVISION OF MDM INC.



 SEQUENCE 13200PWR81 (High-Speed)

