

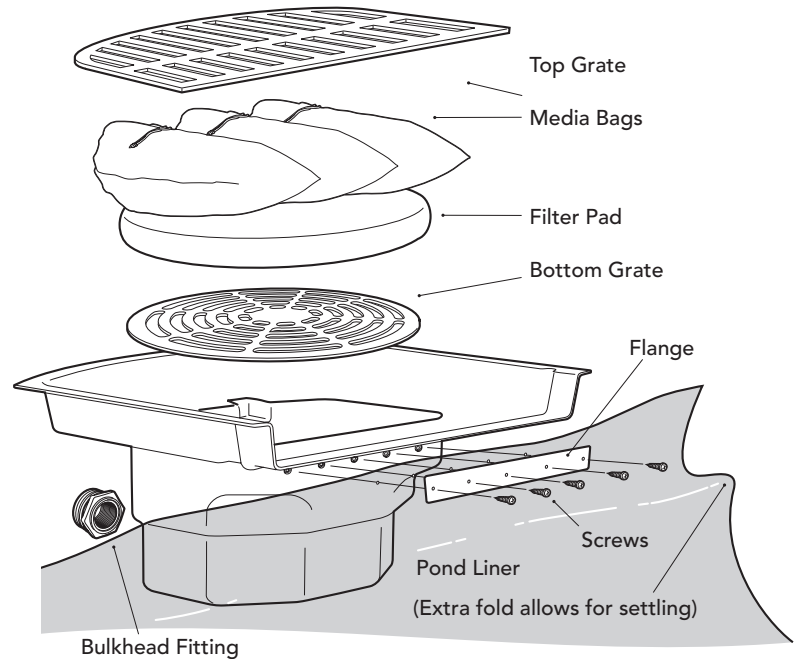
FilterFalls Installation



Models

BF1000, BF1250, BF1500,
BF1800, BF2000, BF2600,
BF3800, BF4800

1. Installing the FilterFalls: It may be located at varying heights above the level of the pond and adjacent to or away from the pond. Dig a hole slightly larger than the filter container. Make sure the bottom of the filter hole is compacted and level. Make sure the FilterFalls is level front to back and side to side.
2. Complete plumbing to the filter. The filter is supplied with a 1 1/2", 2" or 3" bulkhead fitting. Install the bulkhead through the hole in the enclosure (on the Pro Series models the hole must be drilled, drill points have been provided on all sides) make sure that there is at least one rubber gasket on the water side of the enclosure. Tighten the bulkhead nut by hand until tight then tighten a 1/2 turn with a wrench. Install pipe adaptors (not included) as required to connect to your pipe. Use Teflon tape on all threaded PVC connections.
3. After you have installed the pond liner, hold the liner up against the filter enclosure right underneath the spillway. Allow an extra fold in the liner below the area of attachment to permit settling of the pond and liner after installation is complete. Use the supplied liner clips, faceplate, stainless screws & silicone to attach the liner to the filter.
4. Apply the silicone to the front of the filter; press the liner up against the filter. Use the supplied clips to hold liner and attach the faceplate with supplied screws. Be sure to seal the back of each screw with a dab of silicone (some models this won't be needed due to the molded in inserts). Trim excess liner as necessary.



5. Place the filter grate at the bottom of the filter, then the filter pad. The supplied media bag(s) are for biological media like Atlantic bio-blocks. Position bag(s) on top of the filter pad. Water or bog plants may be placed on top of the media bag or top filter grate (on some models) to enhance appearance and add another level of filtration.
6. The filter enclosure may be backfilled up to the top perimeter and landscaped with rocks and other natural materials. Some of Atlantic's filters are equipped with a top grate to facilitate landscaping. A natural rock may also be placed on the spillway to give a more realistic look. Use Atlantic FallsFoam waterfall foam to hold the rocks in place and seal the spillway rocks along the bottom and sides so water will flow over the rocks on the spillway.

Hole Saw size needed to drill for Atlantic bulkheads

1 1/2" Bulkhead	2 3/8" Hole Saw
2" Bulkhead	3" Hole Saw
3" Bulkhead	4 1/2" Hole Saw



Water flows from the bulkhead fitting into the swirl chamber then up through the removable grate, filter pad, biological media bag and out over the spillway. The swirl chamber distributes the water evenly throughout the filter for more efficient operation. The grate supports the filter pad and biological media above it while allowing water to pass freely. The filter pad removes solid particles. The biological media and plants remove dissolved wastes. The spillway aerates the water.