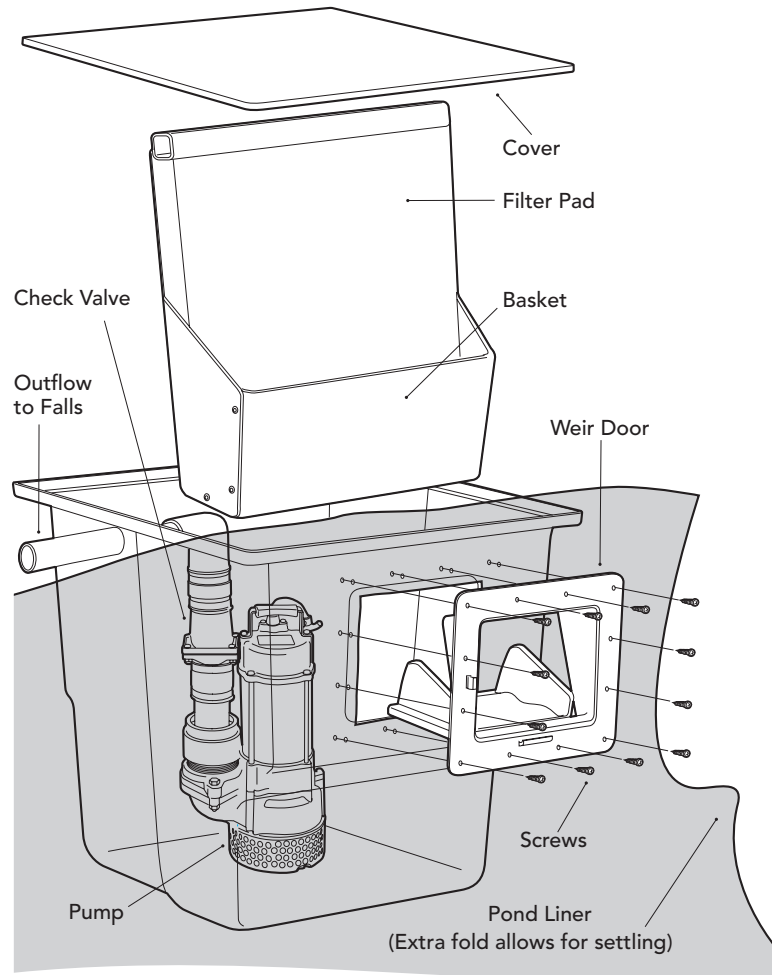


## Skimmer Installation



**Models**  
**PS4000 (FSA005)**  
**PS4500 (FSA010)**

1. Dig a hole adjacent to the pond and slightly larger than the skimmer box. The elevation of the box will be determined by the projected water level of the pond. (Note: Water level should be set approximately 1 1/2" below the weir opening in the skimmer enclosure). Level the skimmer box from front to back and side to side. Backfill around the skimmer and compact slightly taking care not to warp the enclosure.
2. Hold the liner up against the skimmer opening allowing a minimum 1" extension above the top of the skimmer box. Liner clips have been provided to help with this process. Leave some excess slack in the liner below the weir opening to compensate for any settling that may occur after you have completed installation. Mark the perimeter of the weir opening on the liner and cut it out.
3. Connect the skimmer to the pond liner. Pull the liner away from the skimmer box and apply Atlantic fish safe silicon sealant around the weir opening. Return the liner to the face of the skimmer and hold it in place with the liner clips. Insert the weir door assembly into the skimmer enclosure. (Note: the weir door must be open to complete this step). Center the weir assembly in the opening and attach using the supplied self tapping screws. Install screws in a crisscross manor using caution not to over tighten. Be sure to seal the back of each screw with a dab of silicone to complete the installation.
4. For your convenience, two 2 1/2" holes have been pre-drilled in the sides of the PS4000/PS4500, for the pump discharge hose. Use whichever hole is most suitable for your application. The remaining open hole can be easily blocked with a flat stone or a piece of wood to prevent soil from entering the skimmer. There is no need for this to be water tight seal, be cause the hole is above water level. Install the pump, check valve assembly, and finish plumbing. (Note: Power to the pump must be protected by a Ground Fault Circuit Interrupter (GFCI).



5. (OPTIONAL) Drill points have been provided on the PS4000/PS4500 skimmers, to eliminate the guesswork on final plumbing. The drill point located on the side of the skimmer enclosure is for the installation of Atlantic's AF1000 auto fill kit. Auto fill hole is to be drilled with a 7/8" hole saw or spade bit. (See Auto-fill instruction manual for details.) Two drill points have been provided on the back of the skimmer to accommodate a HA2000 bulkhead fitting for a 2" overflow pipe. Use a 3" hole saw to drill for the bulkhead. This will locate the overflow approximately 1" above recommended water level.

### Skimmer Operation

*The skimmer is designed to supplement a regular pond filter by removing leaves and other surface debris. For best results it should be run continuously. The skimmer basket and or filter mat/net, should be cleaned regularly. Failure to do so may reduce water flow through the skimmer and could cause pump damage.*