

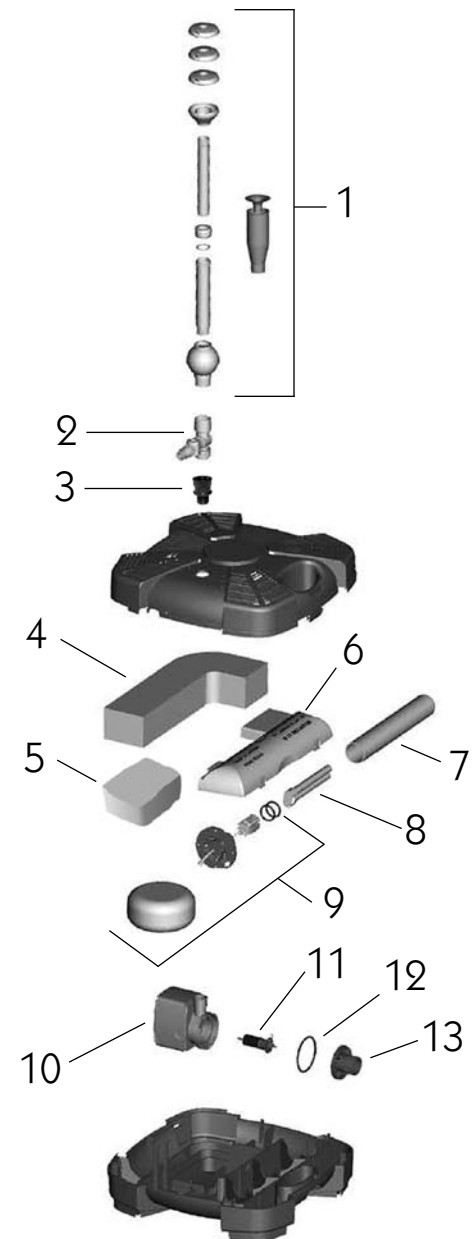
Lifegard® All In One Pond Filter System

INSTRUCTIONS



Parts Breakdown

ITEM#	PART#	DESCRIPTION
1	R440435	Fountain Kit
2	R440439	Diverter Valve
3	R440440	Fitting
4	R440446	Mechanical Filter Sponge Media
5	R440447	Biological Filter Media
6	R440448	UV Cover Housing
7	R440436	Quartz Sleeve
8	R440437	UV Replacement Bulb
9	R440438	"O" ring, Connector, Cap and Ballast
10	R440442	Pump
11	R440443	Pump Impeller
12	R440444	Pump "O" Ring
13	R440445	Front Housing



Read Instructions Before Installing

The advanced features of this compact filter system allow efficient operation and if installed according to instructions, will keep the water in your pond or water garden crystal clear.

The ALL IN ONE FILTER SYSTEM is a compact filter for ponds and water gardens, easy to install and designed for easy maintenance. Besides offering 4 different fountain spray patterns, it performs three different filtering functions:

1. **MECHANICAL** to remove solids.
2. **BIOLOGICAL** to promote beneficial bacteria growth.
3. **ULTRAVIOLET STERILIZER** to kill free floating algae. The ultraviolet sterilizer has a separate plug so that you can operate it only when needed.

Technical Data

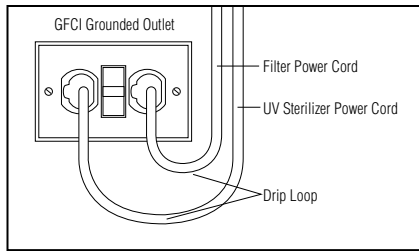
Voltage	115 Volt / 60 Hz
Wattage	55 Watts
Maximum Flow Rate	650 GPH
Maximum Head	8.2 Feet
Maximum Depth	3.3 Feet
Power Cables	25 Feet
Weight	12 Lbs.
Maximum Water Temp	95° F
Pond Volume	300 Gallons up to 1500 Gallons
UV Lamp	9 Watt
Ballast	UL Listed 115V / 60 Hz

Installation

WARNING: Disconnect the unit from power source before performing any maintenance or installation in the water or out.

DANGER: Do not operate UV bulb outside housing. Ultraviolet radiation can be harmful to skin and eyes. To check if the UV bulb is operating, observe lit bulb through holes of the upper lid.

DRIP LOOP: To prevent accidental dripping of water on power plug or outlet, use the cord to create a drip loop. Connect both power cords to a grounded (GFCI) outlet.



1. Determine the exact place to install filter. The peculiar shape of your Filter System unit makes it stable and easy to place in any pond.
2. Connect the diverter valve and ball-joint leveling device, the telescopic tube and your choice of water nozzle to the outlet of the pump. Turn diverter valve into closed position.
3. Place the filter on a horizontal surface about 4" from the bottom, away from mud and algae.
4. In order to have a good water jet, the bottom surface must be horizontal and the jet must be in a vertical position. Use the ball-joint on the telescopic pole to adjust it to a vertical position.
5. The filter is now ready for use. Plug in the power cord to the pump.

(NOTE: The power cord to the UV sterilizer should only be used when free floating algae control is required).

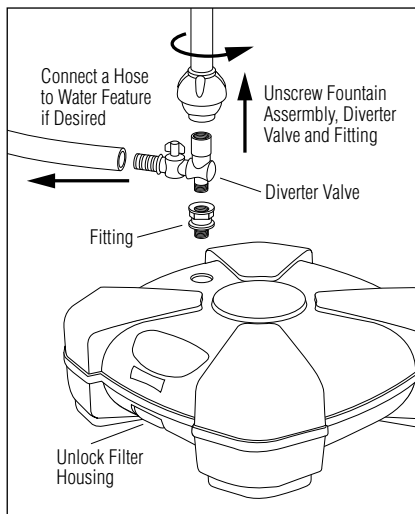
Maintenance

WARNING: Unplug pump and UV sterilizer before removing unit from pond and performing maintenance.

Maintenance is required when the height of the water fountain or pump flow decreases. Usually, maintenance is required every two months.

1. To Open Filter:

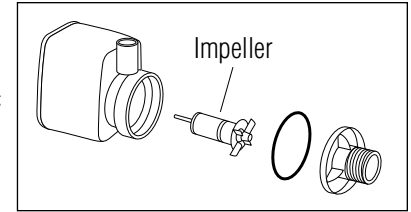
Unscrew, counterclockwise, the fountain assembly, diverter valve and fitting. Unlock filter housing and open the 2 sides. **The fountain assembly, diverter valve and fitting must be removed from the pump prior to opening up the filter housing.**



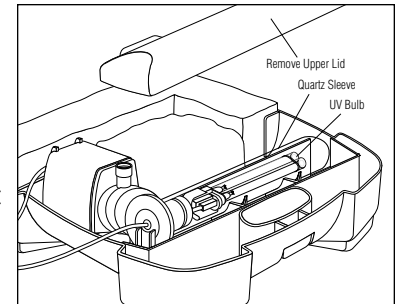
2. To Clean Filter:

Open upper lid and remove mechanical filter sponge. Wash sponge with water. Do not use solvents or detergents.

3. To Clean Pump: If necessary to remove pump, first remove media and UV cover. Turn the front housing counterclockwise, extract the impeller being careful not to lose any internal parts. Wash the parts with water and check the wear condition by turning the impeller while keeping the shaft firm. The impeller should turn smoothly. Reassemble all parts paying attention to proper placement of all components.

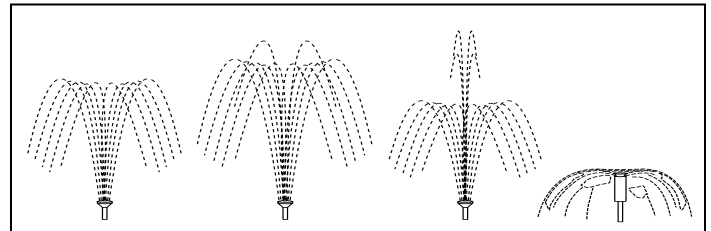


4. To Clean UV Sleeve: If algae proliferate it may be necessary to check proper functioning of the UV bulb. If bulb is functioning, it may be necessary to clean quartz sleeve. To do this, make sure unit is disconnected (both pump and lamp). Remove upper lid. Using a screwdriver, extract the quartz sleeve. Use rubbing alcohol to remove any build up of dirt or slime. Check that quartz sleeve has not been damaged and replace.



5. To Change UV Bulb: For best efficiency UV bulb should be replaced yearly. (Approx 9000 hours of use). Disconnect both pump and UV. Remove the upper lid. Remove the bulb lid. Using a screwdriver, extract the quartz sleeve and UV bulb and replace with a new one available from your dealer. Reassemble all parts making sure that all gaskets in the bulb cap are placed correctly.

Four Different Spray Patterns Included



Warranty

LIFEGARD AQUATICS, warrants to the original purchaser of this equipment to be free from defects in workmanship or materials for a period of one year from the date of installation, provided this equipment is installed in accordance with factory instructions and operated within the environments and limitations for which it was designed. Due to numerous operational circumstances beyond Lifegard's control, the germicidal bulbs are excluded from warranty. Should any of the integral parts of the unit become defective within one year from the date of purchase, they will be repaired or replaced, if proved defective in workmanship or material in the opinion of the manufacturer. LIFEGARD AQUATICS will not be liable for any labor cost of removing or replacing component parts. This shall be the responsibility of the original purchaser, as will be all shipping charges to and from the plant. Damage or failure of any part of a unit covered by this warranty, which results from causes directly, or indirectly connected with the installation, operation, environment, use or willful abuse, including without limitation, improper repackaging and damage incurred in shipping, is not covered by this warranty. Unless state law provides otherwise, manufacturer will only be responsible for repair or replacement of any of its products or parts thereof that are found to be defective, and will not bear the cost of any incidental or consequential damages arising out of the occurrence of such defect. The warranty gives you specific legal rights and you may also have other rights which vary from state to state.



Phone: 800-628-8771

Fax: 800-424-1445

Email: info@lifegradaquatics.com

Website: www.lifegradaquatics.com